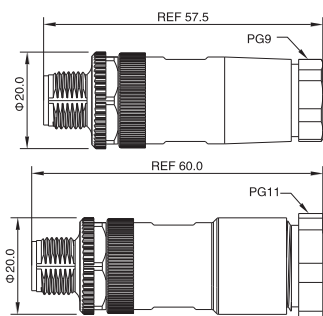


M12 公直头, 组装式, 锁端子型, T-coding
M12 Male field wirable assembly, Straight, Screw joint, T-coding



技术参数/Technical data

执行标准/Execution standard	IEC 61076-2-111
适用温度/Ambient temperature	-25°C ~ +90°C
胶芯材料/Connector insert	PA
端子材料/Connector contacts	黄铜镀金/Brass with gold plated
螺丝/螺母材料/Connector nut/screw	锌合金镀镍/Zinc alloy with nickel plated
主体材料/Connector body	PA+GF
密封材料/密封圈/Seal/O-ring	氟橡胶(FKM)
绝缘阻抗/Insulation resistance	≥100MΩ
接触阻抗/Contact resistance	≤5mΩ
是否屏蔽/Shielding or not	否/Unavailable
适配线径/Suitable cable Dia	PG9:6~8mm; PG11:8~10mm
插拔次数/Mating endurance	>500次/Cycles
防护等级/IP rating	IP68 (锁紧状态/in locked condition)



订货信息/Ordering information

芯数/Contacts	端子类型 Contacts termination	额定电流 Rated current	额定电压/Voltage		导体规格/Wire gauge		线材外被 Cable jacket	公头型号/ Male model
			交流(A/C)	直流(D/C)	AWG	mm ²		
	锁端子型 Screw joint	12A(40°C)	50V	63V	16	1.5	PVC/PUR/ 定制 Customized	P2A2F06-T P2A2F08-T
	锁端子型 Screw joint	12A(40°C)	50V	63V	16	1.5	PVC/PUR/ 定制 Customized	P2B2F06-T P2B2F08-T
	锁端子型 Screw joint	12A(40°C)	50V	63V	16	1.5	PVC/PUR/ 定制 Customized	P2C2F06-T P2C2F08-T

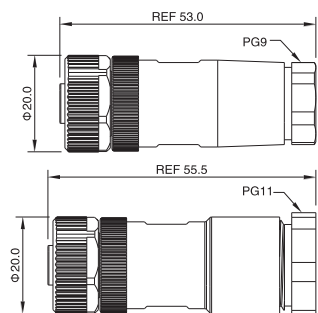
M12 母直头, 组装式, 锁端子型, T-coding

M12 Female field wirable assembly, Straight, Screw joint, T-coding



技术参数/Technical data

执行标准/Execution standard	IEC 61076-2-111
适用温度/Ambient temperature	-25°C ~ +90°C
胶芯材料/Connector insert	PA
端子材料/Connector contacts	黄铜镀金/Brass with gold plated
螺丝/螺母材料/Connector nut/screw	锌合金镀镍/Zinc alloy with nickel plated
主体材料/Connector body	PA+GF
密封材料/密封圈/Seal/O-ring	氟橡胶(FKM)
绝缘阻抗/Insulation resistance	≥100MΩ
接触阻抗/Contact resistance	≤5mΩ
是否屏蔽/Shielding or not	否/Unavailable
适配线径/Suitable cable Dia	PG9:6~8mm; PG11:8~10mm
插拔次数/Mating endurance	>500次/Cycles
防护等级/IP rating	IP68 (锁紧状态/in locked condition)



订货信息/Ordering information

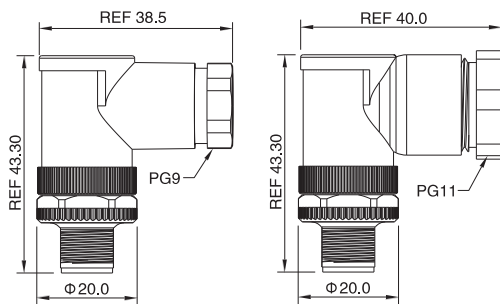
芯数/Contacts	端子类型 Contacts termination	额定电流 Rated current	额定电压/Voltage		导体规格/Wire gauge		线材外被 Cable jacket	母头型号/ Female model
			交流(A/C)	直流(D/C)	AWG	mm ²		
	锁端子型 Screw joint	12A(40°C)	50V	63V	16	1.5	PVC/PUR/ 定制 Customized	P2A1F06-T P2A1F08-T
	锁端子型 Screw joint	12A(40°C)	50V	63V	16	1.5	PVC/PUR/ 定制 Customized	P2B1F06-T P2B1F08-T
	锁端子型 Screw joint	12A(40°C)	50V	63V	16	1.5	PVC/PUR/ 定制 Customized	P2C1F06-T P2C1F08-T

M12 公弯头, 组装式, 锁端子型, T-coding
M12 Male field wirable assembly, Angled, Screw joint, T-coding



技术参数/Technical data

执行标准/Execution standard	IEC 61076-2-111
适用温度/Ambient temperature	-25°C ~ +90°C
胶芯材料/Connector insert	PA
端子材料/Connector contacts	黄铜镀金/Brass with gold plated
螺丝/螺母材料/Connector nut/screw	锌合金镀镍/Zinc alloy with nickel plated
主体材料/Connector body	PA+GF
密封材料/密封圈/Seal/O-ring	氟橡胶(FKM)
绝缘阻抗/Insulation resistance	≥100MΩ
接触阻抗/Contact resistance	≤5mΩ
是否屏蔽/Shielding or not	否/Unavailable
适配线径/Suitable cable Dia	PG9:6~8mm; PG11:8~10mm
插拔次数/Mating endurance	>500次/Cycles
防护等级/IP rating	IP68 (锁紧状态/in locked condition)



订货信息/Ordering information

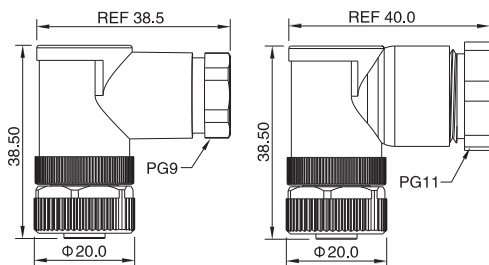
芯数/Contacts	端子类型 Contacts termination	额定电流 Rated current	额定电压/Voltage		导体规格/Wire gauge		线材外被 Cable jacket	公头型号/ Male model
			交流(A/C)	直流(D/C)	AWG	mm ²		
	锁端子型 Screw joint	12A(40°C)	50V	63V	16	1.5	PVC/PUR/ 定制 Customized	P2A4F06-T P2A4F08-T
	锁端子型 Screw joint	12A(40°C)	50V	63V	16	1.5	PVC/PUR/ 定制 Customized	P2B4F06-T P2B4F08-T
	锁端子型 Screw joint	12A(40°C)	50V	63V	16	1.5	PVC/PUR/ 定制 Customized	P2C4F06-T P2C4F08-T

M12 母弯头, 组装式, 锁端子型, T-coding
M12 Female field wirable assembly, Angled, Screw joint, T-coding



技术参数/Technical data

执行标准/Execution standard	IEC 61076-2-111
适用温度/Ambient temperature	-25°C ~ +90°C
胶芯材料/Connector insert	PA
端子材料/Connector contacts	黄铜镀金/Brass with gold plated
螺丝/螺母材料/Connector nut/screw	锌合金镀镍/Zinc alloy with nickel plated
主体材料/Connector body	PA+GF
密封材料/密封圈/Seal/O-ring	氟橡胶(FKM)
绝缘阻抗/Insulation resistance	≥100MΩ
接触阻抗/Contact resistance	≤5mΩ
是否屏蔽/Shielding or not	否/Unavailable
适配线径/Suitable cable Dia	PG9:6~8mm; PG11:8~10mm
插拔次数/Mating endurance	>500次/Cycles
防护等级/IP rating	IP68 (锁紧状态/in locked condition)



订货信息/Ordering information

芯数/Contacts	端子类型 Contacts termination	额定电流 Rated current	额定电压/Voltage		导体规格/Wire gauge		线材外被 Cable jacket	母头型号/ Female model
			交流(A/C)	直流(D/C)	AWG	mm ²		
	锁端子型 Screw joint	12A(40°C)	50V	63V	16	1.5	PVC/PUR/ 定制 Customized	P2A3F06-T P2A3F08-T
	锁端子型 Screw joint	12A(40°C)	50V	63V	16	1.5	PVC/PUR/ 定制 Customized	P2B3F06-T P2B3F08-T
	锁端子型 Screw joint	12A(40°C)	50V	63V	16	1.5	PVC/PUR/ 定制 Customized	P2C3F06-T P2C3F08-T