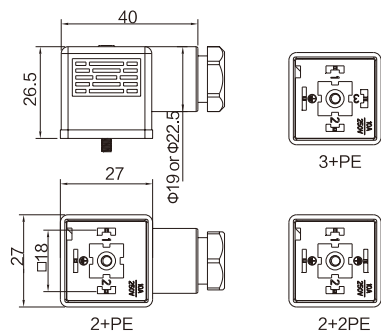




**电磁阀, 插座, 组装式, A型, PG9/PG11, 带LED**  
**Valve plug, Female, Field wirable assembly, Type A, PG9/PG11, With LED**

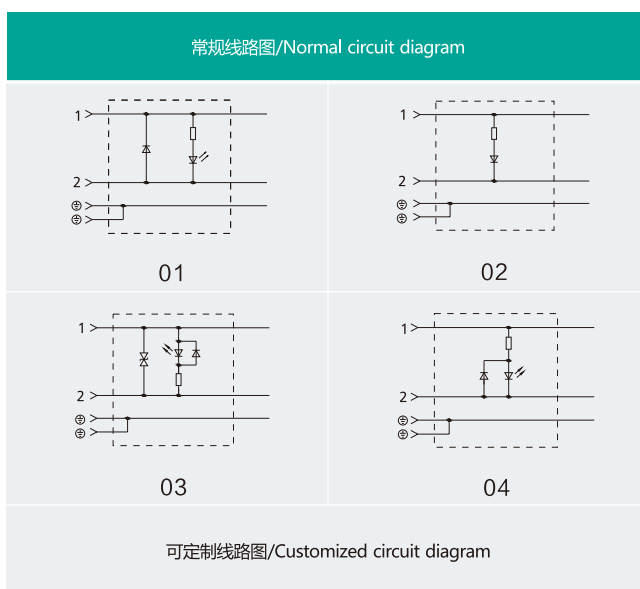


**技术参数/Technical data**

执行标准/Standard	DIN EN 175 301-803-A
适用温度/Ambient temperature	-25°C ~ +90°C
端子类型/Termination	螺纹式/Screw
端子尺寸/Pin dimensions	6.3x0.8mm,4.8x0.8mm
胶芯颜色/Housing color	透明/Transparent
外壳材料/Sheating material	PA+GF
胶芯材料/Connector insert	PC
端子材料/Connector contacts	磷青铜镀银/PS with silver plated
螺丝材料/Screw	钢镀锌/Steel with Zn plated
密封材料/Seal	氟橡胶(FMK)/丁晴橡胶(NBR)
垫片材料/Gasket	丁晴橡胶(NBR)
额定电压/Rated voltage	24V
额定脉冲电压/Rated impulse voltage	800V
额定电流/Rated current	8A
绝缘阻抗/Insulation resistance	≥100MΩ
接触阻抗/Contact resistance	≤4mΩ
防护等级/IP rating	IP65(锁紧状态/in locked condition)
电缆接头/Cable gland	PG9/PG11
适配线径/Suitable cables	4.5~7.0mm/6.0~9.0mm
导体规格/Conductor size	Max.1.5mm <sup>2</sup>

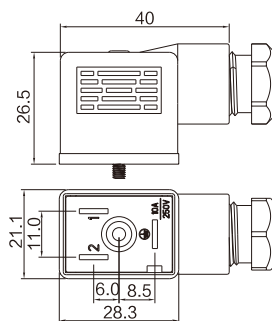
**订货信息/Ordering information**

芯数/Contacts		型号/Model
3+PE		VA31-XX-1
2+2PE		VA22-XX-1
2+PE		VA21-XX-1
3P		VA30-XX-1
4P		VA40-XX-1



电磁阀, 插座, 组装式, B型

Valve plug, Female, Field wirable assembly, Type B



技术参数/Technical data

执行标准/Standard	工业标准/Industrial standard
适用温度/Ambient temperature	-30°C ~ +125°C
端子类型/Termination	螺纹式/Screw
端子尺寸/Pin dimensions	6.3x0.8mm,4.8x0.8mm
胶芯颜色/Housing color	黑色/Black
外壳材料/Sheating material	PA+GF
胶芯材料/Connector insert	PA+GF
端子材料/Connector contacts	磷青铜镀银/PS with silver plated
螺丝材料/Screw	钢镀锌/Steel with Zn plated
密封材料/Seal	氟橡胶(FMK)/丁晴橡胶(NBR)
垫片材料/Gasket	丁晴橡胶(NBR)
额定电压/Rated voltage	250V
额定脉冲电压/Rated impulse voltage	4000V
额定电流/Rated current	10A
绝缘阻抗/Insulation resistance	≥100MΩ
接触阻抗/Contact resistance	≤4mΩ
防护等级/IP rating	IP65(锁紧状态/in locked condition)
电缆接头/Cable gland	PG9
适配线径/Suitable cables	4.5~7.0mm
导体规格/Conductor size	Max.1.5mm <sup>2</sup>

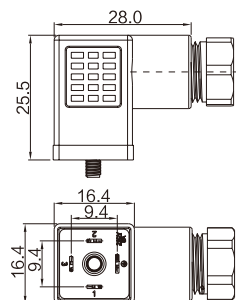
订货信息/Ordering information

芯数/Contacts	型号/Model
2+PE	VBI21-0-1

常规线路图/Normal circuit diagram

电磁阀, 插座, 组装式, C型

Valve plug, Female, Field wirable assembly, Type C



技术参数/Technical data

执行标准/Standard	工业标准/Industrial standard
适用温度/Ambient temperature	-30°C ~ +125°C
端子类型/Termination	螺纹式/Screw
端子尺寸/Pin dimensions	4.6x0.5mm,3.8x0.5mm
胶芯颜色/Housing color	黑色/Black
外壳材料/Sheating material	PA+GF
胶芯材料/Connector insert	PA+GF
端子材料/Connector contacts	磷青铜镀银/PS with silver plated
螺丝材料/Screw	钢镀锌/Steel with Zn plated
密封材料/Seal	氟橡胶(FMK)/丁晴橡胶(NBR)
垫片材料/Gasket	丁晴橡胶(NBR)
额定电压/Rated voltage	250V
额定脉冲电压/Rated impulse voltage	800V
额定电流/Rated current	6A
绝缘阻抗/Insulation resistance	≥100MΩ
接触阻抗/Contact resistance	≤4mΩ
防护等级/IP rating	IP65(锁紧状态/in locked condition)
电缆接头/Cable gland	PG7
适配线径/Suitable cables	4.0~6.0mm
导体规格/Conductor size	0.5mm <sup>2</sup>

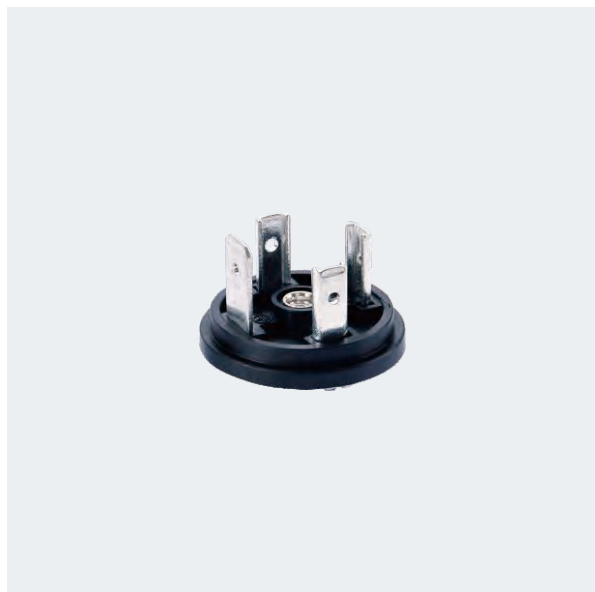
订货信息/Ordering information

芯数/Contacts	型号/Model
3+PE	VC131-0-1



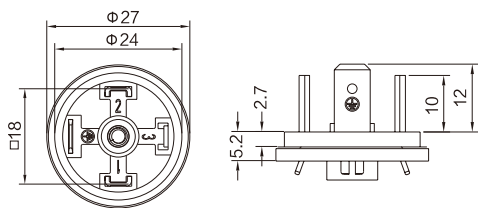
常规线路图/Normal circuit diagram

电磁阀, 插头, 组装式, 圆形底座, A型  
Valve plug, Male base Conn, Type A, Circular



技术参数/Technical data

执行标准/Standard	DIN EN 175 301-803-A
适用温度/Ambient temperature	-30°C ~ +125°C
端子类型/Termination	焊接型/Soldering
端子尺寸/Pin dimensions	6.3x0.8mm,4.8x0.8mm
胶芯颜色/Housing color	黑色/Black
胶芯材料/Connector insert	PA
端子材料/Connector contacts	黄铜镀锡/镀镍/Brass with tin plated or nickel plated
中央螺母/Central nut	黄铜镀镍/Brass with nickel plated
垫片材料/Gasket	丁晴橡胶(NBR)
额定电压/Rated voltage	250V
额定脉冲电压/Rated impulse voltage	4000V
额定电流/Rated current	16A
绝缘阻抗/Insulation resistance	≥100MΩ
接触阻抗/Contact resistance	≤4mΩ
防护等级/IP rating	IP65(锁紧状态/in locked condition)



订货信息/Ordering information

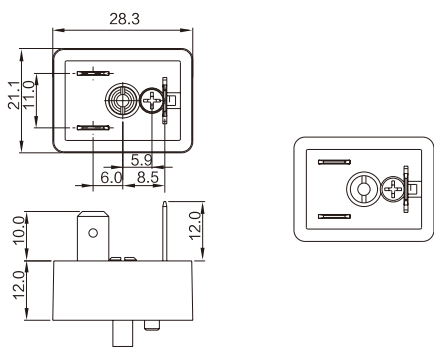
芯数/Contacts		型号/Model
3+PE		VA31-1-C
2+2PE		VA22-1-C
2+PE		VA21-1-C
3P		VA30-1-C
4P		VA40-1-C

常规线路图/Normal circuit diagram
可定制线路图/Customized circuit diagram





电磁阀, 插头, 组装式, 方形底座, B型  
Valve plug, Male base Conn, Type B, Rectangular



技术参数/Technical data

执行标准/Standard	工业标准/Industrial standard
适用温度/Ambient temperature	-30°C ~ +125°C
端子类型/Termination	焊接型/Soldering
端子尺寸/Pin dimensions	6.3x0.8mm
胶芯颜色/Housing color	黑色/Black
胶芯材料/Connector insert	PA+GF
端子材料/Connector contacts	黄铜镀锡/镀镍/Brass with tin plated or nickel plated
中央螺母/Central nut	黄铜镀镍/Brass with nickel plated
额定电压/Rated voltage	AC/DC 250V
额定脉冲电压/Rated impulse voltage	4000V
额定电流/Rated current	16A
绝缘阻抗/Insulation resistance	≥100MΩ
接触阻抗/Contact resistance	≤4mΩ
防护等级/IP rating	IP65(锁紧状态/in locked condition)

订货信息/Ordering information

芯数/Contacts	型号/Model
2+PE	VBI21-2-C

常规线路图/Normal circuit diagram
可定制线路图/Customized circuit diagram

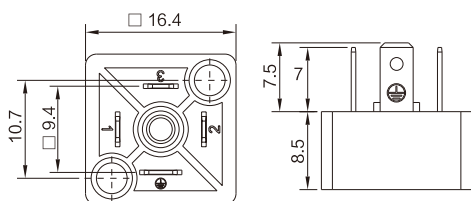


**电磁阀, 插头, 组装式, 方形底座, C型**  
**Valve plug, Male base Conn, Type C, Rectangular**



**技术参数/Technical data**

执行标准/Standard	工业标准/Industrial standard
适用温度/Ambient temperature	-30°C ~ +125°C
端子类型/Termination	焊接型/Soldering
端子尺寸/Pin dimensions	4.6x0.5mm, 3.8x0.5mm
胶芯颜色/Housing color	黑色/Black
胶芯材料/Connector insert	PA+GF
端子材料/Connector contacts	黄铜镀锡/镀镍/Brass with tin plated or nickel plated
中央螺母/Central nut	黄铜镀镍/Brass with nickel plated
额定电压/Rated voltage	AC/DC 250V
额定脉冲电压/Rated impulse voltage	800V
额定电流/Rated current	6A
绝缘阻抗/Insulation resistance	≥100MΩ
接触阻抗/Contact resistance	≤4mΩ
防护等级/IP rating	IP65(锁紧状态/in locked condition)



**订货信息/Ordering information**

芯数/Contacts		型号/Model
2+PE		VCI21-2-C
2+2PE		VCI22-2-C
3+PE		VCI31-2-C

常规线路图/Normal circuit diagram
可定制线路图/Customized circuit diagram