

**RD24 公直头, 面板式, 焊接型, 前锁**  
RD24 Male Panel Mount, Solder, Front fastened

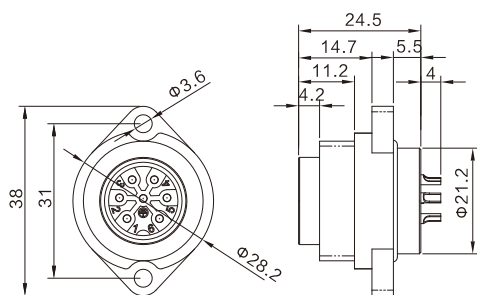
RoHS

IP68



技术参数/Technical data

|                            |                                 |
|----------------------------|---------------------------------|
| 适用温度/Ambient temperature   | -25°C ~ +125°C                  |
| 胶芯材料/Connector insert      | PBT                             |
| 端子材料/Connector contacts    | 黄铜镀银/Brass with silver plated   |
| 密封材料/密封圈/Seal/O-ring       | EPDM                            |
| 绝缘阻抗/Insulation resistance | ≥100MΩ                          |
| 接触阻抗/Contact resistance    | ≤5mΩ                            |
| 是否屏蔽/Shielding or not      | 否/Unavailable                   |
| 插拔次数/Mating endurance      | >500次/Cycles                    |
| 防护等级/IP rating             | IP68 (锁紧状态/in locked condition) |



订货信息/Ordering information

| 芯数/Contacts  | 端子类型<br>Contacts<br>termination | 额定电流<br>Rated<br>current | 额定电压/Voltage |         | 导体规格/Wire gauge |                 | 线材外被<br>Cable<br>jacket | 公头型号/<br>male model |
|--------------|---------------------------------|--------------------------|--------------|---------|-----------------|-----------------|-------------------------|---------------------|
|              |                                 |                          | 交流(A/C)      | 直流(D/C) | AWG             | mm <sup>2</sup> |                         |                     |
| <br>A-Coding | 焊接型<br>Solder<br>version        | 12A                      | 600V         | 600V    | 18~14           | 0.75            | PVC/PUR                 | RD24MAAH2P-FL       |
| <br>A-Coding | 焊接型<br>Solder<br>version        | 12A                      | 600V         | 600V    | 18~14           | 0.75            | PVC/PUR                 | RD24MAAH3P-FL       |
| <br>A-Coding | 焊接型<br>Solder<br>version        | 12A                      | 600V         | 600V    | 18~14           | 0.75            | PVC/PUR                 | RD24MAAH4P-FL       |
| <br>B-Coding | 焊接型<br>Solder<br>version        | 8A                       | 250V         | 250V    | 22~16           | 0.34~1.5        | PVC/PUR                 | RD24MAAH7P-FL       |

**RD24 公直头, 面板式, 锁端子型, 前锁**  
**RD24 Male Panel Mount, Screw joint, Front fastened**

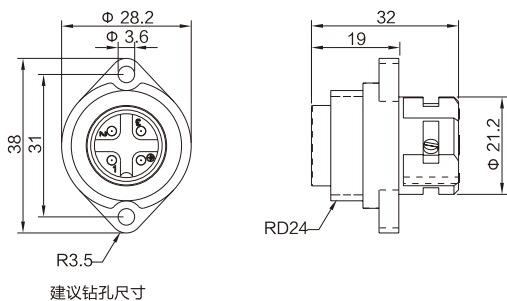
RoHS

IP68



技术参数/Technical data

|                            |                                 |
|----------------------------|---------------------------------|
| 适用温度/Ambient temperature   | -25°C ~ +125°C                  |
| 胶芯材料/Connector insert      | PBT                             |
| 端子材料/Connector contacts    | 黄铜镀银/Brass with silver plated   |
| 密封材料/密封圈/Seal/O-ring       | EPDM                            |
| 绝缘阻抗/Insulation resistance | ≥100MΩ                          |
| 接触阻抗/Contact resistance    | ≤5mΩ                            |
| 是否屏蔽/Shielding or not      | 否/Unavailable                   |
| 插拔次数/Mating endurance      | >500次/Cycles                    |
| 防护等级/IP rating             | IP68 (锁紧状态/in locked condition) |



订货信息/Ordering information

| 芯数/Contacts  | 端子类型<br>Contacts<br>termination | 额定电流<br>Rated<br>current | 额定电压/Voltage |         | 导体规格/Wire gauge |                 | 芯线绝缘<br>Wire<br>insulation | 公头型号/<br>male model |
|--------------|---------------------------------|--------------------------|--------------|---------|-----------------|-----------------|----------------------------|---------------------|
|              |                                 |                          | 交流(A/C)      | 直流(D/C) | AWG             | mm <sup>2</sup> |                            |                     |
| <br>A-Coding | 锁端子型<br>Screw<br>joint          | 12A                      | 600V         | 600V    | 18~14           | 0.75            | PVC/定制<br>Customized       | RD24MAAS2P-FL       |
| <br>A-Coding | 锁端子型<br>Screw<br>joint          | 12A                      | 600V         | 600V    | 18~14           | 0.75            | PVC/定制<br>Customized       | RD24MAAS3P-FL       |
| <br>A-Coding | 锁端子型<br>Screw<br>joint          | 12A                      | 600V         | 600V    | 18~14           | 0.75            | PVC/定制<br>Customized       | RD24MAAS4P-FL       |

**RD24 母直头, 面板式, 锁端子型, 前锁**  
**RD24 Female Panel Mount, Screw joint, Front fastened**

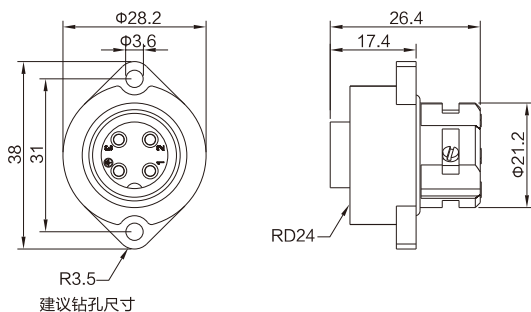
RoHS

IP68



技术参数/Technical data

|                            |                                 |
|----------------------------|---------------------------------|
| 适用温度/Ambient temperature   | -25°C ~ +125°C                  |
| 胶芯材料/Connector insert      | PBT                             |
| 端子材料/Connector contacts    | 黄铜镀银/Brass with silver plated   |
| 密封材料/密封圈/Seal/O-ring       | EPDM                            |
| 绝缘阻抗/Insulation resistance | ≥100MΩ                          |
| 接触阻抗/Contact resistance    | ≤5mΩ                            |
| 是否屏蔽/Shielding or not      | 否/Unavailable                   |
| 插拔次数/Mating endurance      | >500次/Cycles                    |
| 防护等级/IP rating             | IP68 (锁紧状态/in locked condition) |



订货信息/Ordering information

| 芯数/Contacts  | 端子类型<br>Contacts termination | 额定电流<br>Rated current | 额定电压/Voltage |         | 导体规格/Wire gauge |                 | 芯线绝缘<br>Wire insulation | 母头型号/<br>Female model |
|--------------|------------------------------|-----------------------|--------------|---------|-----------------|-----------------|-------------------------|-----------------------|
|              |                              |                       | 交流(A/C)      | 直流(D/C) | AWG             | mm <sup>2</sup> |                         |                       |
| <br>A-Coding | 锁端子型<br>Screw joint          | 12A                   | 600V         | 600V    | 18~14           | 0.75            | PVC/定制<br>Customized    | RD24FAAS2P-FL         |
| <br>A-Coding | 锁端子型<br>Screw joint          | 12A                   | 600V         | 600V    | 18~14           | 0.75            | PVC/定制<br>Customized    | RD24FAAS3P-FL         |
| <br>A-Coding | 锁端子型<br>Screw joint          | 12A                   | 600V         | 600V    | 18~14           | 0.75            | PVC/定制<br>Customized    | RD24FAAS4P-FL         |