

**Mini-change(7/8")公/母直头, 注塑成型式**  
**Mini-change(7/8") Male/Female molded cable, Straight**

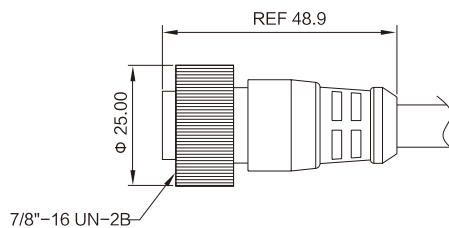
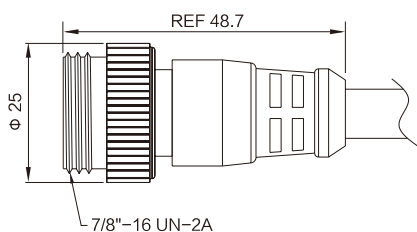
RoHS

IP68



技术参数/Technical data

适用温度/Ambient temperature	-40°C ~ +80°C(静态温度/fixed installation); -20°C ~ +80°C(动态温度/flexible installation)
胶芯材料/Connector insert	TPU
端子材料/Connector contacts	黄铜镀金/Brass with gold plated
外模材料/Connector overmold	TPU
螺丝/螺母材料/Contactor nut/screw	铝合金黑色阳极氧化/Aluminum anodized black
密封材料/密封圈/Seal/O-ring	FKM
绝缘阻抗/Insulation resistance	≥100MΩ
接触阻抗/Contact resistance	≤5mΩ
是否屏蔽/Shielding or not	否/Unavailable
插拔次数/Mating endurance	>500次/Cycles
防护等级/IP rating	IP68 (锁紧状态/in locked condition)



订货信息/Ordering information

芯数/Contacts	额定电流 Rated current	额定电压/Voltage		导体规格/Wire gauge		线材外被 Cable jacket	芯线绝缘 Wire insulation	公头型号/male model	母头型号/Female model
		交流(A/C)	直流(D/C)	AWG	mm <sup>2</sup>				
	13A	300V	300V	18	1.0	PUR/PVC	PVC	VP78-3P-MAH-XXXX	VP78-3P-FAH-XXXX
	13A	300V	300V	18	1.0	PUR/PVC	PVC	VP78-4P-MAH-XXXX	VP78-4P-FAH-XXXX
	8A	300V	300V	20	0.5	PUR/PVC	PVC	VP78-5P-MAH-XXXX	VP78-5P-FAH-XXXX
	4A (信号 7Pins) 8A (电源 3Pins)	250V	250V	20~24	0.25~0.5	PUR/PVC	PVC	VP78-10P-MAH-XXXX	VP78-10P-FAH-XXXX
	4A	250V	250V	24	0.25	PUR/PVC	PVC	VP78-16P-MAH-XXXX	VP78-16P-FAH-XXXX

**Mini-change(7/8")公/母弯头, 注塑成型式**  
**Mini-change(7/8") Male/Female molded cable, Angled**

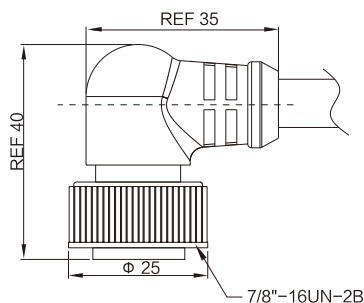
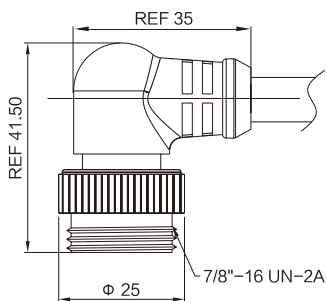
RoHS

IP68



技术参数/Technical data

适用温度/Ambient temperature	-40°C ~ +80°C(静态温度/fixed installation); -20°C ~ +80°C(动态温度/flexible installation)
胶芯材料/Connector insert	TPU
端子材料/Connector contacts	黄铜镀金/Brass with gold plated
外模材料/Connector overmold	TPU
螺丝/螺母材料/Contact nut/screw	铝合金黑色阳极氧化/Aluminum anodized black
密封材料/密封圈/Seal/O-ring	FKM
绝缘阻抗/Insulation resistance	≥100MΩ
接触阻抗/Contact resistance	≤5mΩ
是否屏蔽/Shielding or not	否/Unavailable
插拔次数/Mating endurance	>500次/Cycles
防护等级/IP rating	IP68 (锁紧状态/in locked condition)



订货信息/Ordering information

芯数/Contacts	额定电流 Rated current	额定电压/Voltage		导体规格/Wire gauge		线材外被 Cable jacket	芯线绝缘 Wire insulation	公头型号/male model	母头型号/Female model
		交流(A/C)	直流(A/C)	AWG	mm <sup>2</sup>				
	13A	300V	300V	18	1.0	PUR/PVC	PVC	VP78-3P-MRH-XXXX	VP78-3P-FRH-XXXX
	13A	300V	300V	18	1.0	PUR/PVC	PVC	VP78-4P-MRH-XXXX	VP78-4P-FRH-XXXX
	8A	300V	300V	20	0.5	PUR/PVC	PVC	VP78-5P-MRH-XXXX	VP78-5P-FRH-XXXX
	4A	250V	250V	24	0.25	PUR/PVC	PVC	VP78-16P-MRH-XXXX	VP78-16P-FRH-XXXX