

**M20 公/母头, 面板式, 焊接型, 后锁**  
**M20 Male/Female Panel mount, Solder, Rear fastened**

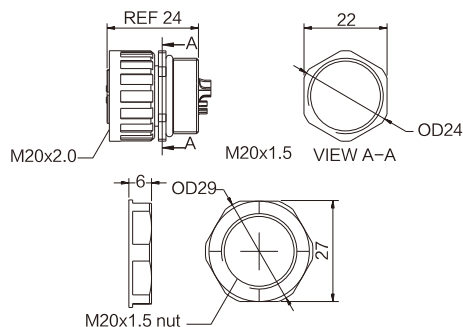
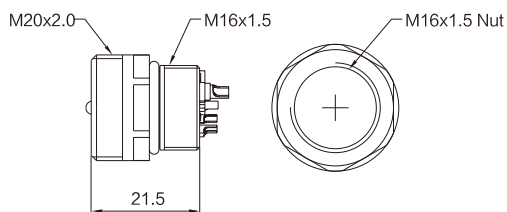
RoHS

IP68



技术参数/Technical data

适用温度/Ambient temperature	-25°C ~ +125°C
胶芯材料/Connector insert	PBT
端子材料/Connector contacts	黄铜镀金/Brass with gold plated
螺丝/螺母材料/Contactor nut/screw	PA66
密封材料/密封圈/Seal/O-ring	硅胶
绝缘阻抗/Insulation resistance	≥100MΩ
接触阻抗/Contact resistance	≤5mΩ
是否屏蔽/Shielding or not	否/Unavailable
插拔次数/Mating endurance	>500次/Cycles
防护等级/IP rating	IP68 (锁紧状态/in locked condition)



订货信息/Ordering information

芯数/Contacts	端子类型 Contacts termination	额定电流 Rated current	额定电压/Voltage		导体规格/Wire gauge		芯线绝缘 Wire insulation	公头型号/male model	母头型号/Female model
			交流(A/C)	直流(A/C)	AWG	mm <sup>2</sup>			
	焊接型 Solder version	4A (信号 5Pins) 13A (电源 3Pins)	300V	300V	26~22	0.14~0.3	PVC	M20MAAH08P-H-0.5	M20FAAH08P-H-0.5
					18~14	0.5~2.5			