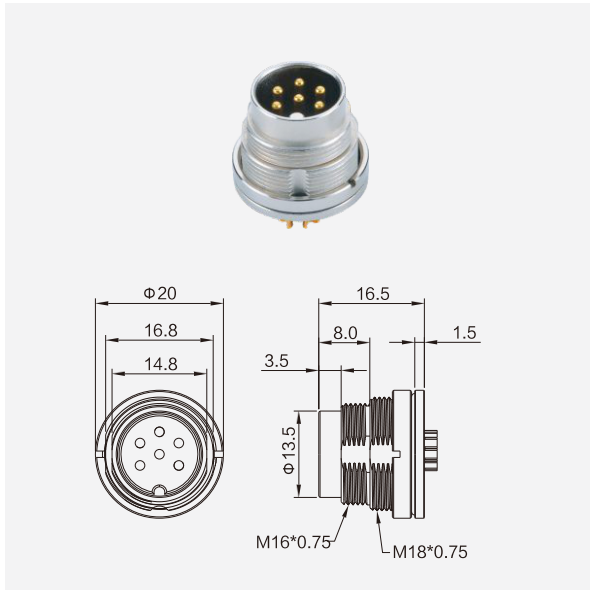


M16 公头, 面板式, 压铸螺丝, 焊接型, 前锁
M16 Male panel mount, Die-cast screw, Solder, Front fastened

技术参数/Technical data

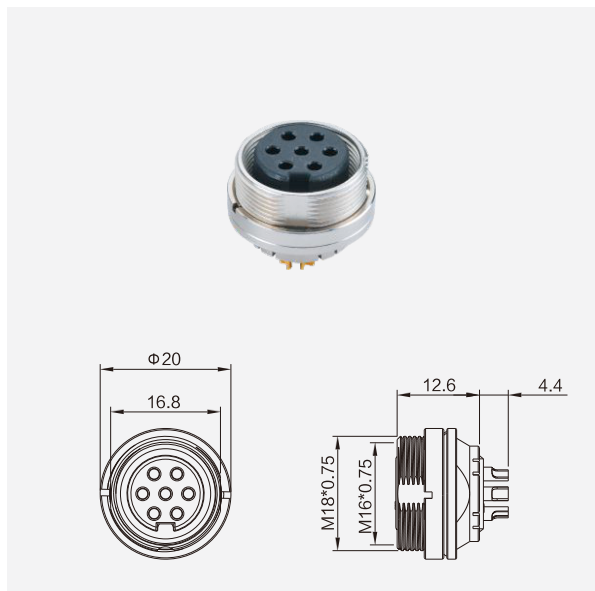
执行标准/Execution standard	IEC 61076-2-106
适用温度/Ambient temperature	-25°C ~ +70°C
胶芯材料/Connector insert	BPT
端子材料/Connector contacts	黄铜镀金/Brass with gold plated
螺丝/主体材料/Connector screw/body	锌合金镀镍/Zinc alloy with nickel plated
螺母材料/Nut material	黄铜镀镍/Brass with nickel plated
密封材料/密封圈/Seal/O-ring	NBR/氟橡胶/FKM
绝缘阻抗/Insulation resistance	≥100MΩ
接触阻抗/Contact resistance	≤5mΩ
是否屏蔽/Shielding or not	否/Unavailable
插拔次数/Mating endurance	>100次/Cycles
防护等级/IP rating	IP65,IP67 (锁紧状态/in locked condition)

订货信息/Ordering information

芯数/Contacts	端子类型 Contacts termination	额定电流 Rated current	额定电压/Voltage		导体规格/Wire gauge		线材外被 Cable jacket	公头型号/Male model
			交流(A/C)	直流(D/C)	AWG	mm ²		
	焊接型 Solder version	5A(40°C)	100V	100V	18	0.75	PUR/PVC	M16MAAH02Z-Q-0.5
	焊接型 Solder version	5A(40°C)	100V	100V	18	0.75	PUR/PVC	M16MAAH03Z-Q-0.5
	焊接型 Solder version	5A(40°C)	100V	100V	18	0.75	PUR/PVC	M16MAAH04Z-Q-0.5
	焊接型 Solder version	5A(40°C)	63V(a) 32V(b)	63V(a) 32V(b)	18	0.75	PUR/PVC	M16MAAH05Z-Q-0.5 M16MABH05Z-Q-0.5
	焊接型 Solder version	5A(40°C)	63V	63V	18	0.75	PUR/PVC	M16MAAH06Z-Q-0.5
	焊接型 Solder version	5A(40°C)	100V(a) 63V(b)	100V(a) 63V(b)	18	0.75	PUR/PVC	M16MAAH07Z-Q-0.5 M16MABH07Z-Q-0.5
	焊接型 Solder version	5A(40°C)	32V	32V	18	0.75	PUR/PVC	M16MAAH08Z-Q-0.5
	焊接型 Solder version	1A(40°C) (Single contact 3A)	32V	32V	Max.24	Max.0.25	PUR/PVC	M16MAAH14Z-Q-0.5
	焊接型 Solder version	1A(40°C) (Single contact 3A)	32V	32V	Max.24	Max.0.25	PUR/PVC	M16MAAH19Z-Q-0.5

M16 母头, 面板式, 压铸螺丝, 焊接型, 前锁
M16 Female panel mount, Die-cast screw, Solder, Front fastened

RoHS

 IP65
IP67

技术参数/Technical data

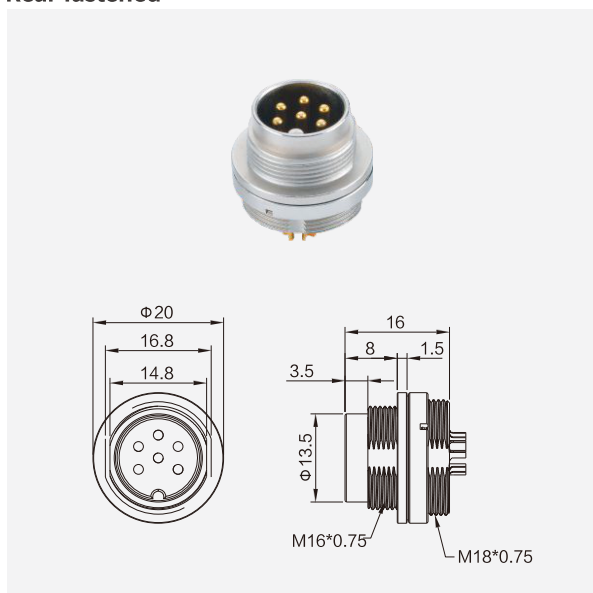
执行标准/Execution standard	IEC 61076-2-106
适用温度/Ambient temperature	-25°C ~ +70°C
胶芯材料/Connector insert	BPT
端子材料/Connector contacts	黄铜镀金/Brass with gold plated
螺丝/主体材料/Connector screw/body	锌合金镀镍/Zinc alloy with nickel plated
螺母材料/Nut material	黄铜镀镍/Brass with nickel plated
密封材料/密封圈/Seal/O-ring	NBR/氟橡胶/FKM
绝缘阻抗/Insulation resistance	≥100MΩ
接触阻抗/Contact resistance	≤5mΩ
是否屏蔽/Shielding or not	否/Unavailable
插拔次数/Mating endurance	>100次/Cycles
防护等级/IP rating	IP65,IP67 (锁紧状态/in locked condition)

订货信息/Ordering information

芯数/Contacts	端子类型 Contacts termination	额定电流 Rated current	额定电压/Voltage		导体规格/Wire gauge		线材外被 Cable jacket	母头型号/Female model
			交流(A/C)	直流(D/C)	AWG	mm ²		
	焊接型 Solder version	5A(40°C)	100V	100V	18	0.75	PUR/PVC	M16MRAH02Z-Q-0.5
	焊接型 Solder version	5A(40°C)	100V	100V	18	0.75	PUR/PVC	M16MRAH03Z-Q-0.5
	焊接型 Solder version	5A(40°C)	100V	100V	18	0.75	PUR/PVC	M16MRAH04Z-Q-0.5
	焊接型 Solder version	5A(40°C)	63V(a) 32V(b)	63V(a) 32V(b)	18	0.75	PUR/PVC	M16MRAH05Z-Q-0.5 M16MRBH05Z-Q-0.5
	焊接型 Solder version	5A(40°C)	63V	63V	18	0.75	PUR/PVC	M16MRAH06Z-Q-0.5
	焊接型 Solder version	5A(40°C)	100V(a) 63V(b)	100V(a) 63V(b)	18	0.75	PUR/PVC	M16MRAH07Z-Q-0.5 M16MRBH07Z-Q-0.5
	焊接型 Solder version	5A(40°C)	32V	32V	18	0.75	PUR/PVC	M16MRAH08Z-Q-0.5
	焊接型 Solder version	1A(40°C) (Single contact 3A)	32V	32V	Max.24	Max.0.25	PUR/PVC	M16MRAH14Z-Q-0.5
	焊接型 Solder version	1A(40°C) (Single contact 3A)	32V	32V	Max.24	Max.0.25	PUR/PVC	M16MRAH19Z-Q-0.5

M16 公头, 面板式, 压铸螺丝, 焊接型, 后锁
M16 Male panel mount, Die-cast screw, Solder, Rear fastened

RoHS

 IP65
 IP67

技术参数/Technical data

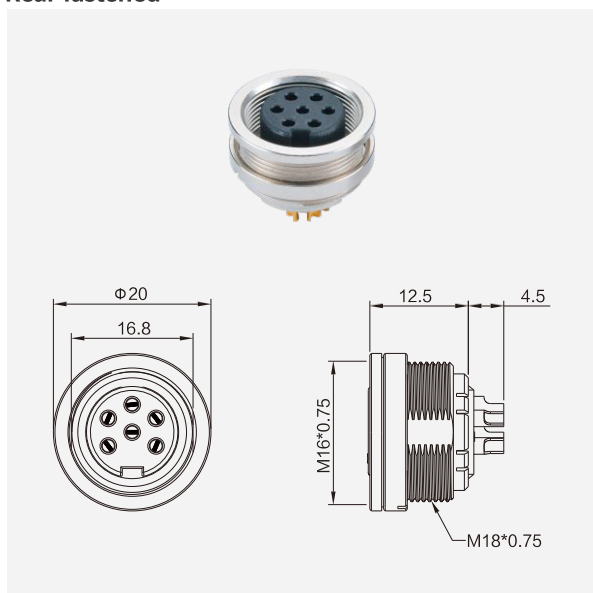
执行标准/Execution standard	IEC 61076-2-106
适用温度/Ambient temperature	-25°C ~ +70°C
胶芯材料/Connector insert	BPT
端子材料/Connector contacts	黄铜镀金/Brass with gold plated
螺丝/主体材料/Connector screw/body	锌合金镀镍/Zinc alloy with nickel plated
螺母材料/Nut material	黄铜镀镍/Brass with nickel plated
密封材料/密封圈/Seal/O-ring	NBR/氟橡胶/FKM
绝缘阻抗/Insulation resistance	≥100MΩ
接触阻抗/Contact resistance	≤5mΩ
是否屏蔽/Shielding or not	否/Unavailable
插拔次数/Mating endurance	>100次/Cycles
防护等级/IP rating	IP65,IP67 (锁紧状态/in locked condition)

订货信息/Ordering information

芯数/Contacts	端子类型 Contacts termination	额定电流 Rated current	额定电压/Voltage		导体规格/Wire gauge		线材外被 Cable jacket	公头型号/Male model
			交流(A/C)	直流(D/C)	AWG	mm ²		
	焊接型 Solder version	5A(40°C)	100V	100V	18	0.75	PUR/PVC	M16MAAH02Z-H-0.5
	焊接型 Solder version	5A(40°C)	100V	100V	18	0.75	PUR/PVC	M16MAAH03Z-H-0.5
	焊接型 Solder version	5A(40°C)	100V	100V	18	0.75	PUR/PVC	M16MAAH04Z-H-0.5
	焊接型 Solder version	5A(40°C)	63V(a) 32V(b)	63V(a) 32V(b)	18	0.75	PUR/PVC	M16MAAH05Z-H-0.5 M16MABH05Z-H-0.5
	焊接型 Solder version	5A(40°C)	63V	63V	18	0.75	PUR/PVC	M16MAAH06Z-H-0.5
	焊接型 Solder version	5A(40°C)	100V(a) 63V(b)	100V(a) 63V(b)	18	0.75	PUR/PVC	M16MAAH07Z-H-0.5 M16MABH07Z-H-0.5
	焊接型 Solder version	5A(40°C)	32V	32V	18	0.75	PUR/PVC	M16MAAH08Z-H-0.5
	焊接型 Solder version	1A(40°C) (Single contact 3A)	32V	32V	Max.24	Max.0.25	PUR/PVC	M16MAAH14Z-H-0.5
	焊接型 Solder version	1A(40°C) (Single contact 3A)	32V	32V	Max.24	Max.0.25	PUR/PVC	M16MAAH19Z-H-0.5

M16 母头, 面板式, 压铸螺丝, 焊接型, 后锁
M16 Female panel mount, Die-cast screw, Solder, Rear fastened

RoHS

 IP65
IP67

技术参数/Technical data

执行标准/Execution standard	IEC 61076-2-106
适用温度/Ambient temperature	-25°C ~ +70°C
胶芯材料/Connector insert	BPT
端子材料/Connector contacts	黄铜镀金/Brass with gold plated
螺丝/主体材料/Connector screw/body	锌合金镀镍/Zinc alloy with nickel plated
螺母材料/Nut material	黄铜镀镍/Brass with nickel plated
密封材料/密封圈/Seal/O-ring	NBR/氟橡胶/FKM
绝缘阻抗/Insulation resistance	≥100MΩ
接触阻抗/Contact resistance	≤5mΩ
是否屏蔽/Shielding or not	否/Unavailable
插拔次数/Mating endurance	>100次/Cycles
防护等级/IP rating	IP65,IP67 (锁紧状态/in locked condition)

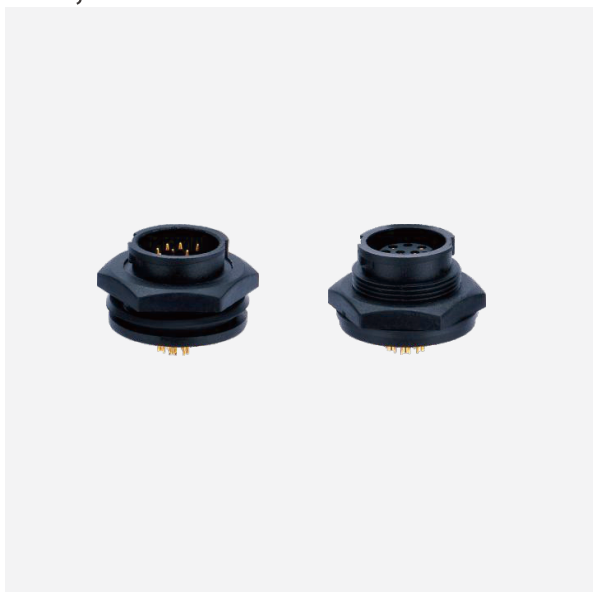
订货信息/Ordering information

芯数/Contacts	端子类型 Contacts termination	额定电流 Rated current	额定电压/Voltage		导体规格/Wire gauge		线材外被 Cable jacket	母头型号/Female model
			交流(A/C)	直流(D/C)	AWG	mm ²		
	焊接型 Solder version	5A(40°C)	100V	100V	18	0.75	PUR/PVC	M16MRAH02Z-H-0.5
	焊接型 Solder version	5A(40°C)	100V	100V	18	0.75	PUR/PVC	M16MRAH03Z-H-0.5
	焊接型 Solder version	5A(40°C)	100V	100V	18	0.75	PUR/PVC	M16MRAH04Z-H-0.5
	焊接型 Solder version	5A(40°C)	63V(a) 32V(b)	63V(a) 32V(b)	18	0.75	PUR/PVC	M16MRAH05Z-H-0.5 M16MRBH05Z-H-0.5
	焊接型 Solder version	5A(40°C)	63V	63V	18	0.75	PUR/PVC	M16MRAH06Z-H-0.5
	焊接型 Solder version	5A(40°C)	100V(a) 63V(b)	100V(a) 63V(b)	18	0.75	PUR/PVC	M16MRAH07Z-H-0.5 M16MRBH07Z-H-0.5
	焊接型 Solder version	5A(40°C)	32V	32V	18	0.75	PUR/PVC	M16MRAH08Z-H-0.5
	焊接型 Solder version	1A(40°C) (Single contact 3A)	32V	32V	Max.24	Max.0.25	PUR/PVC	M16MRAH14Z-H-0.5
	焊接型 Solder version	1A(40°C) (Single contact 3A)	32V	32V	Max.24	Max.0.25	PUR/PVC	M16MRAH19Z-H-0.5

M16 公/母直头, 面板式, 焊接型, 前锁, 快锁式
M16 Male/Female panel mount, Straight, Quick-lock type, Solder, Front fastened

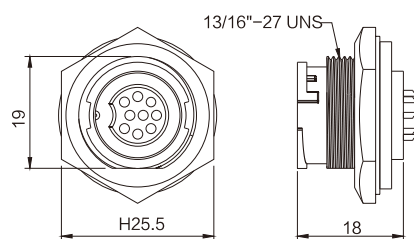
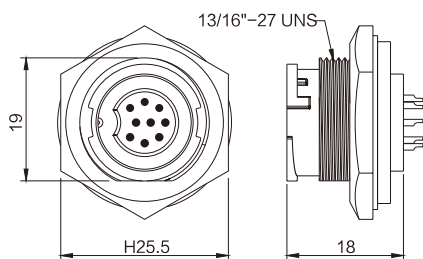
RoHS

IP65
IP67



技术参数/Technical data

适用温度/Ambient temperature	-25°C ~ +90°C
胶芯材料/Connector insert	PA+GF
端子材料/Connector contacts	黄铜镀金/Brass with gold plated
旋扣材料/Quick-lock fix cap	PA+GF
密封圈/O-ring	氟橡胶/FKM
绝缘阻抗/Insulation resistance	≥100MΩ
接触阻抗/Contact resistance	≤5mΩ
是否屏蔽/Shielding or not	否/Unavailable
适配线径/Suitable cable dia	5.0~8.5mm
插拔次数/Mating endurance	>100次/Cycles
防护等级/IP rating	IP65,IP67 (锁紧状态/in locked condition)



订货信息/Ordering information

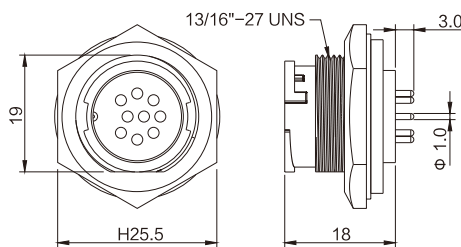
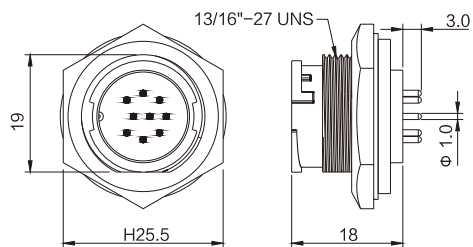
芯数/Contacts	端子类型 Contacts termination	额定电流 Rated current	额定电压/Voltage		导体规格/Wire gauge		芯线绝缘 Wire insulation	公头型号/ Male model	母头型号/ Female model
			交流(A/C)	直流(A/C)	AWG	mm ²			
	焊接型 Solder version	4A	250V	300V	22	0.34	PVC/定制 Customized	M16MAAH08Q-Q-0.5	M16FAAH08Q-Q-0.5
	焊接型 Solder version	4A	250V	300V	22	0.34	PVC/定制 Customized	M16MAAH09Q-Q-0.5	M16FAAH09Q-Q-0.5

M16 公/母直头, 面板式, PCB型, 前锁, 快锁式
M16 Male/Female panel mount, Straight, Quick-lock type, PCB type, Front fastened



技术参数/Technical data

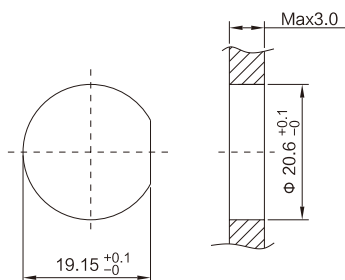
适用温度/Ambient temperature	-25°C ~ +90°C
胶芯材料/Connector insert	PA+GF
端子材料/Connector contacts	黄铜镀金/Brass with gold plated
螺丝/螺母材料/Contactor nut/screw	PA+GF
密封材料/密封圈/Seal/O-ring	环氧树脂(Epoxy resin)/氟橡胶(FKM)
绝缘阻抗/Insulation resistance	≥100MΩ
接触阻抗/Contact resistance	≤5mΩ
是否屏蔽/Shielding or not	否/Unavailable
插拔次数/Mating endurance	>100次/Cycles
防护等级/IP rating	IP65,IP67 (锁紧状态/in locked condition)



订货信息/Ordering information

芯数/Contacts	端子类型 Contacts termination	额定电流 Rated current	额定电压/Voltage		公头型号/ male model	母头型号/ Female model
			交流(A/C)	直流(A/C)		
	PCB型 PCB version	4A	250V	300V	M16MAAH08P-Q-0.5	M16FAAH08P-Q-0.5
	PCB型 PCB version	4A	250V	300V	M16MAAH09P-Q-0.5	M16FAAH09P-Q-0.5

■ 钻孔尺寸



■ PCB孔位分布图

